



Better Health. Better Future.

Exam Room Solutions

Medical equipment and supplies for
healthcare professionals.



**Enhancing family &
community health
is the way to a
better future**

Exam Room Supplies

Alcohol Bottles.....	8
Applicator Jar, Stainless steel.....	11
Beakers, Stainless steel.....	10
Bed Pans, Stainless steel.....	11
Dressing Jars, Glass.....	4
Dressing Jars, Plastic.....	4
Dressing Jars, Stainless steel.....	11
Ear Basin.....	8
Emesis Basins, Stainless steel.....	11
Finger Cots.....	7
Finger Guards.....	7
Forcep Jar, Stainless steel.....	10
Glove Box Dispenser.....	5
Hand Scrub Brush.....	7
Instrument Trays, Stainless steel.....	12-13
Iodine Cup, Stainless steel.....	10
Latex Tourniquets.....	9
Liquid Dispenser.....	6
Male Urinal, Stainless steel.....	10
Medicine Cup, Stainless steel.....	10
Medicine Cup, Plastic.....	15
Ointment Jar, Stainless steel.....	10
Pill Counting Tray.....	15
Pill Envelopes.....	14
Pill Crusher.....	14
Pill Cutter.....	14
Pill Storage Box.....	15
Shears.....	5
Silver Nitrate Applicators.....	8
Solution and Sponge Bowls.....	11
Sundry Jars, Glass.....	8
Sundry Jars, Plastic.....	4
Sundry Jar Rack.....	4
Tape Measures.....	5
Table Paper Dispenser.....	6
Thermometer Jar, Stainless steel.....	10
Tourniquet, Latex.....	9
Tourniquet, Non-Latex.....	9
Tourniquet, Quick Release.....	8
Timers.....	6
Tumbler, Stainless steel.....	11
Wash Basin, Stainless steel.....	10

Diagnostic Supplies

Eye Charts.....	16
Eye Occluder.....	17
Eye Patches.....	17
Eye Shields.....	17
Lubricating Jelly.....	18
Neurological Hammers.....	19
Sphygmomanometers.....	22
Stethoscopes.....	20-21
Thermometer, Digital.....	16
Tuning Forks.....	18
Vaginal Speculums.....	18
Wartenberg Pinwheel.....	19

Lab Supplies

Cover Glass.....	23
Dropper Bottle.....	23
Lens Paper.....	23

Exam Room Equipment

Blood Drawing Chairs.....	28-33
Footstools.....	24
Instrument Stands.....	25-26
IV Stands.....	27

Exam Room Supplies

Glass Dressing Jars:



- Provides exam room storage for products such as bandages, gauze, cotton, applicators, and tongue depressors
- All jars are individually boxed
- Non-autoclavable
- Stainless steel lid

Item #	Description	Packaging
4014	3" x 3"	1/bx, 6 bx/cs
4013	4" x 4"	1/bx, 6 bx/cs
4017	7" x 3"	1/bx, 6 bx/cs
4008	8-1/2" x 4"	1/bx, 6 bx/cs
4012	7" x 4-1/4"	1/bx, 6 bx/cs

CounterTips Sundry Jar Rack:



- Made of PE coated iron for durability
- Free up valuable counter space - Holds both plastic and glass jars
- Prevents breakage
- Includes hardware
- Jars sold separately

Item #	Description	Packaging
4023	3-Jar Rack	1/ea
4020	5-Jar Rack	1/ea

Glass Sundry Jars:



- Provides exam room storage for products such as bandages, gauze, cotton, applicators, and tongue depressors
- 7" x 4-1/4" flint glass with stainless steel lids
- Non-autoclavable
- Stainless steel lids

Item #	Description	Packaging
4010	Blue Imprint	5/cs
4012	Unlabeled	1/bx, 6 bx/cs

Plastic Sundry Jars:



- Provides exam room storage for products such as bandages, gauze, cotton, applicators, and tongue depressors
- 6-1/2" x 4"

Item #	Description	Packaging
4011	Labeled, Clear	5/bx
4019	Unlabeled, Clear	5/bx

Plastic Dressing Jars:



- Clear jar that provides exam room storage for products such as bandages, gauze, cotton, applicators, and tongue depressors

Item #	Description	Packaging
4021	4" x 4"	5/bx



Glove Box Holders:



- PE coated iron that holds 1, 2, or 3 glove boxes
- Can be mounted on a wall horizontally or vertically
- Includes hardware
- Gloves not included

Item #	Description	Packaging
4063	Triple	1/ea
4064	Double	1/ea
4065	Single	1/ea

Retractable Tape Measure:



- Durable Linen-like Fiberglass tape measure
- Graduated English scale and metric scale on reversible side
- White plastic case with push button to retract tape measure
- Available in 72" and 120" length

Item #	Description	Packaging
4414	1/4" x 72"	6/bx
4422	1/4" x 120"	6/bx

Paper Tape Measures:



- Disposable, with blue markings
- Space to record patients name
- Graduated English scale & metric scale in millimeters on reverse side

Item #	Description	Packaging
4413	24"	100/band, 10 band/bx (1000/bx)
4412	36"	100/band, 10 band/bx (1,000 ea)

Tape Measure:



- Durable Linen-like Fiberglass tape measure
- Graduated English scale and metric scale on reversible side

Item #	Description	Packaging
4417	72"	10/pk

All Purpose Shears:



- Easily cuts through the toughest materials
- 7 1/4" Shear with Stainless steel blade
- Autoclavable

Item #	Description	Packaging
8100	Black	1/ea

Exam Room Supplies

Minute Minder Timer:



- 60 minute wind up timer and 5 Second ring
- White plastic housing with large black numbers
- Lays flat on desk or can be hung

Item #	Description	Packaging
4450	3-3/4" x 3" x 2-1/4"	1/ea

Table Paper Dispenser:

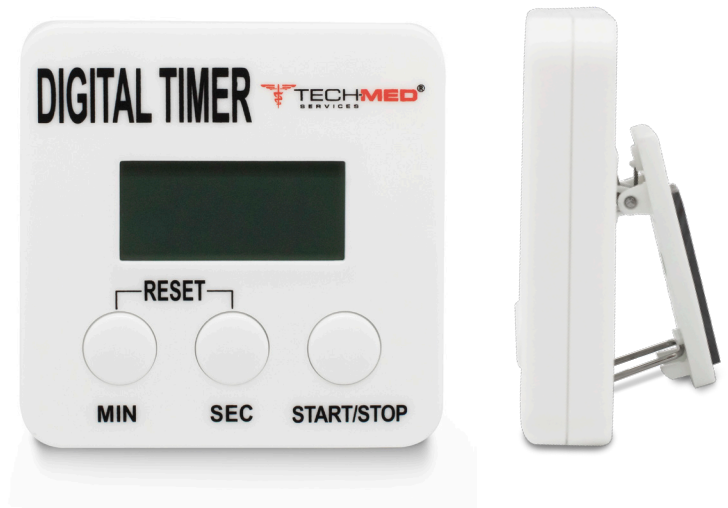


- Easily attaches to an H-Brace style examination table
- Accommodates 18" or 21" paper rolls
- Table paper dispenser includes a paper holder/cutter
- Includes Hardware

Item #	Description	Packaging
4060	Table Paper Dispenser	1/ea

⚠ WARNING: This product can expose you to chemicals including Di(2-ethylhexyl)phthalate (DEHP), which are known to the State of California to cause cancer and birth defects or other reproductive harm. For more information go to www.P65Warnings.ca.gov.

Digital Timer:



- Counts down and up from the max time of 99 minutes
- Includes a spring loaded clip and magnet
- 1 AAA Battery included

Item #	Description	Packaging
4452	2-3/4" x 2-3/4" x 1/2"	1/ea

Liquid Dispenser:



- Dispensing design produces steady stream of liquid controlled by finger pressure
- Size: 4-3/4" x 2-1/2"

Item #	Description	Packaging
4026	9 oz.	12/bx

Latex Finger Cots:



- Pre-rolled natural white, powder free
- Provide user protection and to prevent contamination and infection

Item #	Description	Packaging
4423S	Small	144/bx
4423M	Medium	144/bx
4423L	Large	144/bx
4423XL	X-Large	144/bx

Finger Guards:



- Plastic finger guard protects fingers
- Full length to protect entire digit

Item #	Description	Packaging
4406S	Small	12/bx
4406M	Medium	12/bx
4406L	Large	12/bx
4406-1	Assorted	12/bx

Nitrile Finger Cots:



- Pre-rolled natural white, powder free
- Not made of natural rubber latex
- Minimum of .08mm thickness

Item #	Description	Packaging
4404S	Small	144/bx
4404M	Medium	144/bx
4404L	Large	144/bx
4404XL	X-Large	144/bx

Hand Scrub Brush:



- Long lasting nylon bristles provide thorough scrub without scratching
- 7 x 16 rows of 1/2 inch bristles
- Cold sterilization

Item #	Description	Packaging
4416	6.75" x 4" x 4.25"	12/bx

Exam Room Supplies

Alcohol Bottles:



- Manufactured from high density polyethylene
Excellent for dispensing isopropyl alcohol
- Unique push down dispensing design prevents cross contamination by not allowing dispensed fluid to return to bottle.
- Locking cap prevents fluid from leaking out

Item #	Description	Packaging
4024	Imprinted, 9 oz.	12/bx
4025	No Imprint, 9 oz.	12/bx

Silver Nitrate Applicators:



- 75% Silver Nitrate, 25% Potassium Nitrate
- Plastic caustic applicator may be bent or shaped to enable easy access to the ear, nose or throat cavities
- Federal law prohibits dispensing without prescription

Item #	Description	Packaging
7482	6"	100/vial, 10 vials/bx

Ear Basin:



- Polypropylene plastic
- Specially molded to fit under patient ear

Item #	Description	Packaging
4580	Plastic	1/ea

Quick Release Tourniquet:



- Single handed use tourniquet with push button to release
- Universal in size and adjustments will work with child, adult, and thigh size
- Reusable
- Not made of natural rubber latex

Item #	Description	Packaging
4418	Red	12/bx

Non-Latex Tourniquets:

- Used for constricting or compression
- Hypoallergenic
- High tensile strength
- Polyisoprene



Item #	Description	Packaging
Rolled and Banded		
4200	1" X 18", Blue	250/bg, 4 bg/cs
4200W	1" X 18", White	250/bg, 4 bg/cs
4200OR	1" X 18", Orange	250/bg, 4 bg/cs
4203	3/4" X 18", Blue	300/bg, 4 bg/cs

Item #	Description	Packaging
Flat Packaged		
4100	1" X 18", Blue	100/bx, 10 bx/cs
4100W	1" X 18", White	100/bx, 10 bx/cs
4100OR	1" X 18", Orange	100/bx, 10 bx/cs
4408	1" x 18", Blue	10/bg, 50 bg/bx
4407-1	1"x18", Blue, Perforated	25/roll, 1 roll/bx

Latex Tourniquets:

- 100% natural latex used for constricting or compression
- Low powder content
- High tensile strength



Item #	Description	Packaging
Rolled and Banded		
4409RB	1" x 18"	250/bg, 4 bg/cs

Item #	Description	Packaging
Flat Packaged		
4409	1" x 18"	100/bx, 10 bx/cs

Exam Room Supplies

These quality-crafted products are made from hospital grade stainless steel 18/8 (304) with seamless construction that can help to prevent bacteria growth and allows products to be cleaned with ease.



Forcep Jar / Thermometer:

Item #	Description	Dimensions	Packaging
4234	Forcep Jar	2" x 4 1/2"	12/bx
4235	Forcep Jar	2" x 7 1/2"	6/bx
4236	Thermometer Jar	1" x 4"	12/bx



Beaker:

Item #	Description	Dimensions	Packaging
4244	Graduated Beaker	16 oz.	12/bx
4245	Graduated Beaker	32 oz.	12/bx



Medicine Cup:

Item #	Description	Dimensions	Packaging
4241	Graduated Medicine Cup	2 oz.	12/bx



Iodine Cup:

Item #	Description	Dimensions	Packaging
4239	Iodine Cup	6 oz.	24/bx
4240	Iodine Cup	14 oz.	12/bx



Ointment Jar:

Item #	Description	Dimensions	Packaging
4238	Ointment Jar	8 oz.	12/bx



Male Urinal:

Item #	Description	Dimensions	Packaging
4226	Male Urinal	9" x 4"	6/bx



Wash Basin:

Item #	Description	Dimensions	Packaging
4252	Wash Basin	3-7/8 qt	12/bx

These quality-crafted products are made from hospital grade stainless steel 18/8 (304) with seamless construction that can help to prevent bacteria growth and allows products to be cleaned with ease.



Solution and Sponge Bowls:

Item #	Description	Dimensions	Packaging
4247	Sponge Bowl	7 qt	12/bx
4248	Solution Bowl	3/8 qt	24/bx
4249	Solution Bowl	1 qt	24/bx
4250	Solution Bowl	1-2/5 qt	30/bx
4251	Solution Bowl	1-7/8 qt	24/bx



Tumbler:

Item #	Description	Dimensions	Packaging
4242	Tumbler	7 oz.	12/bx
4242-1	Tumbler	12 oz.	12/bx



Applicator Jar:

Item #	Description	Dimensions	Packaging
4237	Applicator Jar	28 oz.	6/bx



Bed Pans:

Item #	Description	Dimensions	Packaging
4227	Bed Pan	Adult	6/bx
4229	Bed Pan	Fracture	6/bx



Dressing Jars:

Item #	Description	Dimensions	Packaging
4233	Dressing Jar	2-1/4 qt	12/bx
4233-1	Dressing Jar	1 qt	12/bx
4233-2	Dressing Jar	1/2 qt	12/bx



Emesis Basins:

Item #	Description	Dimensions	Packaging
4230	Emesis Basin	6", 12 oz.	12/bx
4231	Emesis Basin	8", 16 oz.	12/bx
4232	Emesis Basin	10", 26 oz.	12/bx

Instrument & Catheter Trays:

- Made of the highest grade stainless steel (18/8)
- Crafted without seams that can help to prevent bacteria growth and allows for easy cleaning
- Autoclavable



Item #	Description	Dimensions	Packaging
4254	Instrument Tray strap handle	8-1/2" x 3" x 1-1/2"	6/bx
4255	Instrument Tray strap handle	8-7/8" x 5 "x 2"	6/bx
4256	Instrument Tray recess grip	12-1/8" x 7-5/8" x 2"	6/bx
4257	Instrument Tray strap handle	17" x 4" x 1-1/8"	6/bx
4258	Instrument Tray, no cover	8-7/8" x 5" x 2"	6/bx
4259	Instrument Tray, no cover	12-1/8" x 7-5/8" x 2"	6/bx
4260	Instrument Tray strap handle	12" x 8" x 2"	1/ea
4265	Instrument Tray strap handle	12" x 3.2" x 2"	1/ea

Flat Trays:

- Made of the highest grade stainless steel (18/8)
- Crafted without seams that can help to prevent bacteria growth and allows for easy cleaning
- Autoclavable



Item #	Description	Dimensions	Packaging
4261	Instrument Tray, Flat	13-5/8" x 9-3/4" x 5/8"	12/bx
4262	Instrument Tray, Flat	15-1/8" x 10-1/2" x 5/8"	12/bx
4263	Instrument Tray, Flat	17-1/8" x 11-5/8" x 5/8"	12/bx
4264	Instrument Tray, Flat	19-1/8" x 12-1/2" x 5/8"	1/ea
4266	Instrument Tray, Flat	16-3/4" x 21-1/2" x 5/8"	1/ea

Perforated Tray Sets:



4270, 4270P & 4271



4275



4276, 4276P & 4277



4276

- Made of the highest grade stainless steel (18/8)
- Crafted without seams that can help to prevent bacteria growth and allows for easy cleaning
- Autoclavable

Item #	Description	Dimensions	Packaging
4270	Instrument Tray, no cover	12-1/2" x 10-1/4" x 2-1/2"	1/ea
4270P	Perforated Insert Tray for 4270		1/ea
4271	Instrument Tray, no cover	12-1/2" x 10-1/4" x 4"	1/ea
4271P	Perforated Tray - for use with 4271		1/ea
4272	Tray Cover for 4270 & 4271		1/ea
4273	Instrument Tray, no cover	12-1/2" x 7" x 4"	1/ea
4273P	Perforated Insert Tray for 4273		1/ea
4274	Tray Cover for 4273		1/ea
4275	Instrument Tray, no cover	10-1/4" x 6-1/4" x 2-1/2"	1/ea
4275P	Perforated Insert Tray for 4275		1/ea
4276	Instrument Tray, no cover	10-1/4" x 6-1/4" x 4"	1/ea
4276P	Perforated Insert Tray for 4276		1/ea
4277	Tray Cover for 4275 & 4276		1/ea

Exam Room Supplies

Pill Crusher:



- Simple twist crushes pills into a fine powder
- Pill storage compartment

Item #	Description	Packaging
6340	Pill Crusher	1/ea

3-in-1 Pill Cutter:



- Stainless steel blade cuts pill easily in half
- Simple twist crushes pills into a fine powder
- Pill storage compartment

Item #	Description	Packaging
6343	3 in 1	1/ea

Pill Envelopes:



- Heavy weight, imprinted envelopes
- Ample room for patient information
- Apply moisture to seal

Item #	Description	Packaging
4415	3-1/2" x 2-1/4"	1000/bx

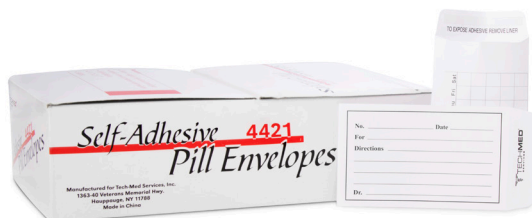
Pill Cutter:



- Stainless steel blade cuts pills easily in half
- V-shaped holder to hold pill while it is being cut
- Small storage compartment

Item #	Description	Packaging
6341	Pill Cutter	1/ea

Pill Envelopes:



Item #	Description	Packaging
4421	Self Seal, 3-1/2" x 2-1/4"	500/bx

Pill Storage Box:

- Convenient and portable way to organize every day medications
- Organizer lids are marked in Braille to assist the visually impaired



Item #	Description	Packaging
6347	6-3/4" x 1" x 1"	1/ea

Pill Counting Tray:

- Designed for convenient time saving pill counting
- Made of the highest grade stainless steel (18/8)
- Crafted without seams that can help to prevent bacteria growth and allows for easy cleaning
- Autoclavable
- Stainless steel tray & spatula



Item #	Description	Packaging
4280	8.46" x 5.90" x 1.37"	1/ea

Medicine Cups:

- A convenient way to distribute medicine in pill or liquid format
- Made of durable translucent polypropylene
- Easy to read graduations



Item #	Description	Packaging
9007-M	1 oz.	100/slv, 50 slv/cs

Plastic Eye Test Charts:



- 20 ft. test distance with non-reflective matte finish
- Kindergarten eye chart features shapes like boats, hearts, stars, and circles
- Tumbling E's chart features E's in different directions
- Snellen chart features letters of the alphabet
- Size: 22" x 11"

Item #	Description	Packaging
TM3050	Snellen	1/ea
3051	Tumbling E	1/ea
3052	Kindergarten	1/ea

⚠️ WARNING: This product can expose you to chemicals including Di(2-ethylhexyl)phthalate (DEHP), which are known to the State of California to cause cancer and birth defects or other reproductive harm. For more information go to www.P65Warnings.ca.gov.

Jaeger Eye Test Chart



- Durable, laminated plastic eye chart used for reading up close and for determining near vision
- Printed on both sides

Item #	Description	Packaging
3054	4-3/4" x 7"	1/ea

⚠️ WARNING: This product can expose you to chemicals including Di(2-ethylhexyl)phthalate (DEHP), which are known to the State of California to cause cancer and birth defects or other reproductive harm. For more information go to www.P65Warnings.ca.gov.

Pocket Eye Test Chart:



- Use at 14"
- Provides 20/800 distance
- Durable, laminated plastic
- Metric & English Scale on back

Item #	Description	Packaging
3053	6-1/2" x 3-1/2"	1/ea

⚠️ WARNING: This product can expose you to chemicals including Di(2-ethylhexyl)phthalate (DEHP), which are known to the State of California to cause cancer and birth defects or other reproductive harm. For more information go to www.P65Warnings.ca.gov.

Eye Occluder:



- Shaped to cover either eye during an eye examination
- Constructed of black plastic

Item #	Description	Packaging
3066	9-3/4"	1/ea

Fox Aluminum Eye Shield:



- Malleable & lightweight
- Perforated convex eye shield with slots
- Available with or without cover

Item #	Description	Packaging
4476	Fox Eye Shield	12/bx
4476-1	Fox Eye Shield with Cover	50/bx
4476W	Cover only, White	50/bx

Eye Patches:



- Elastic head band (not made with natural rubber latex)
- Black satin finish

Item #	Description	Packaging
4473	Flat	12/pk
4475	Convex	12/pk

Digital Thermometer:

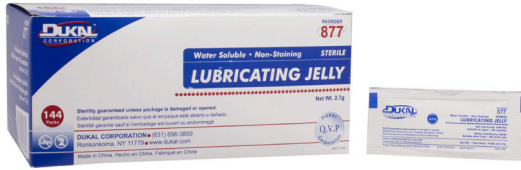


- Quick 10 second read with easy to read large LCD display and low battery indication
- Reads both Centigrade and Fahrenheit; Range: 32° – 43.9°C, 90° – 109.9° F
- Alarm/Beeper when reading is complete
- Battery life: 200 hours of continuous operation
- Auto shut off after 9 minutes of non use
- Built in memory enabling display of the previously measured value

Item #	Description	Packaging
3210D-360	Dual Scale, 10 second read	12 ea/bx, 30 bx/cs

Diagnostic Supplies

Lubricating Jelly:



- Intended for medical purposes to lubricate body orifices to facilitate entry of diagnostic or therapeutic devices
- Greaseless, water soluble, and bacteriostatic
- Sterile
- Not made with natural rubber latex

Item #	Description	Packaging
877	2.7g Foil Pack	144 pk/bx, 12 bx/cs
878	5g Foil Pack	150 pk/bx, 10 bx/cs
879	2 oz. tube (flip top)	12 tbs/bx, 6 bx/cs
880	4 oz. tube (flip top)	12 tbs/bx, 6 bx/cs
881	1 oz. tube (flip top)	12 tbs/bx, 6 bx/cs

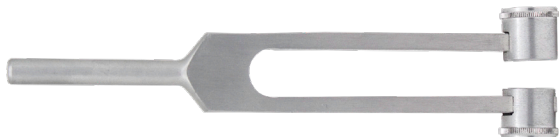
Disposable Vaginal Speculums:



- Made of heavy grade plastic with smooth edges and offers a wide range of adjustability
- Disposable; helps reduce the risk of cross contamination
- Graves style
- Individually wrapped
- Non-Sterile
- Not made with natural rubber latex

Item #	Description	Packaging
6650	Small	10/bg, 10 bg/cs
6660	Medium	10/bg, 10 bg/cs
6670	Large	10/bg, 10 bg/cs

Tuning Forks:



- Used for auditory responses
- Aluminum alloy

Item #	Description	Packaging
7010	C128 Fixed Weights	1/ea
7011	C256 Fixed Weights	1/ea
7012	C512 No Weights	1/ea

Taylor-Type Percussion Hammer:



- Measures nerve response
- Synthetic rubber head in chrome plated handle
- Not made of natural rubber latex

Item #	Description	Packaging
7014	7-3/4"	1/ea

Babinski Hammer:



- Measures nerve response
- White, Plastic
- 14" Length
- Not made of natural rubber latex

Item #	Description	Packaging
7016	White, Plastic 14"	1/ea

Babinski Percussion Hammer:



- Measures nerve response
- Chrome plated telescoping handle adjusts for 6 1/2" to 15"
- Head may be used in both the horizontal or vertical positions
- Not made of natural rubber latex

Item #	Description	Packaging
7018	Chrome, 7-1/2"	1/ea

Buck Hammer:



- Chrome plated handle conceals screw-in brush
- Needle is included in the head

Item #	Description	Packaging
7015	Chrome, 7-1/2"	1/ea

Wartenberg Pinwheel:



- Chrome plated handle with textured grip

Item #	Description	Packaging
7020	7-1/2"	1/ea

Diagnostic Supplies

Single Head Stethoscopes:

- Basic single head stethoscope for blood pressure readings
- Features 22" PVC tubing, anodized aluminum chest piece, and chrome plated brass binaural
- Color coded non chill ring
- One year warranty



Item #	Description	Packaging
1100	Black	1/ea
1100BL	Blue	1/ea
1100GR	Green	1/ea
1100GY	Grey	1/ea
1100R	Red	1/ea

⚠ WARNING: This product can expose you to chemicals including Di(2-ethylhexyl)phthalate (DEHP), which are known to the State of California to cause cancer and birth defects or other reproductive harm. For more information go to www.P65Warnings.ca.gov.

Dual Head Stethoscopes:

- Features 22" PVC tubing, and chrome plated brass binaural
- One year warranty



Item #	Description	Packaging
1200	Black	1/ea
1200BL	Blue	1/ea
1200GR	Green	1/ea
1200GY	Grey	1/ea
1200R	Red	1/ea

⚠ WARNING: This product can expose you to chemicals including Di(2-ethylhexyl)phthalate (DEHP), which are known to the State of California to cause cancer and birth defects or other reproductive harm. For more information go to www.P65Warnings.ca.gov.



Disposable Stethoscopes:

- Single Head Stethoscope with 22" Y Piece Tubing
- Single Patient Use
- Overall Length: 32"
- Individually Poly bagged
- Not made with natural rubber latex

Item #	Description	Packaging
1115	Yellow	10 ea/bx, 10 bx/cs



Bowles Stethoscope:

- Classic blood pressure reading stethoscope
- Chrome plated chest piece with 22" black PVC "Y" tubing and adjustable chrome plated binaural
- One year warranty

Item #	Description	Packaging
1211	Black	1/ea

⚠️ WARNING: This product can expose you to chemicals including Di(2-ethylhexyl)phthalate (DEHP), which are known to the State of California to cause cancer and birth defects or other reproductive harm. For more information go to www.P65Warnings.ca.gov.



Sprague Rappaport Type Stethoscope:

- Stethoscope that provides versatile acoustical response for infants, children and adults
- Features 22" PVC dual channel tubing, chrome plate brass chest piece and binaural
- Small, medium and large bells screw into chest piece to detect low to medium frequency sounds
- Complete with accessory pouch, ID tag and instruction manual
- One year warranty

Item #	Description	Packaging
1300	Black	1/ea

⚠️ WARNING: This product can expose you to chemicals including Di(2-ethylhexyl)phthalate (DEHP), which are known to the State of California to cause cancer and birth defects or other reproductive harm. For more information go to www.P65Warnings.ca.gov.



Teaching Stethoscope:

- Features 22" PVC tubing, anodized aluminum chest piece, and chrome plated brass binaural
- Dual binaural for teaching
- One year warranty

Item #	Description	Packaging
1204	Black	1/ea

⚠️ WARNING: This product can expose you to chemicals including Di(2-ethylhexyl)phthalate (DEHP), which are known to the State of California to cause cancer and birth defects or other reproductive harm. For more information go to www.P65Warnings.ca.gov.



Diagnostic Supplies

Standard Sphygmomanometer:



- Measures blood pressure from 0mm to 300mm Hg
- Standard inflation system not made with natural rubber latex
- Black nylon cuff with index and range markings
- Vinyl carrying case
- Manometer has a one year calibration warranty

Item #	Description	Packaging
2024*	Nylon Cuff, Adult	1/ea
2024C*	Nylon Cuff, Child	1/ea
2024X*	Nylon Cuff, Large Adult	1/ea
2024T*	Nylon Cuff, Thigh	1/ea

Deluxe Sphygmomanometer:



- Measures blood pressure from 0mm to 300mm Hg
- Deluxe inflation system is not made with natural rubber latex and features a large knurled air release valve
- Black nylon cuff with index and range markings
- Both the air release valve and end valve are filtered to keep the unit free from dust and dirt
- Vinyl carrying case
- Manometer has a lifetime calibration warranty

Item #	Description	Packaging
2010**	Nylon Cuff, Adult	1/ea
2010C**	Nylon Cuff, Child	1/ea
2010X**	Nylon Cuff, Large Adult	1/ea

Sphygmomanometer Replacement Parts:

Item #	Description	Packaging
2972LF-2A*	Cuff & Bladder, Adult Size: 20.5"W X 5.5"H	1/ea
2972LF-2I*	Cuff and Bladder, Infant Size 10.5"W X 3"H	1/ea
2972LF-2C*	Cuff & Bladder, Child Size: 13.5"W X 4"H	1/ea
2972LF-2T*	Cuff & Bladder, Thigh Size: 29.5"W X 8.5"H	1/ea
2911	Replacement Gauge, Black	1/ea



Blood Pressure Kit:

- Measures blood pressure from 0mm to 300mm Hg
- Standard inflation system not made with natural rubber latex
- D-Bar cuff with attached single head stethoscope for ease of home blood pressure readings
- Vinyl carrying case
- Manometer has a one year calibration warranty

Item #	Description	Packaging
2041*	Nylon D-Bar Cuff,Adult	1/ea

⚠️ * WARNING: This product can expose you to chemicals including Di(2-ethylhexyl)phthalate (DEHP), which are known to the State of California to cause cancer and birth defects or other reproductive harm. For more information go to www.P65Warnings.ca.gov.

⚠️ ** WARNING: This product can expose you to chemicals including lead, which is known to the State of California to cause cancer and birth defects or other reproductive harm. For more information go to www.P65Warnings.ca.gov

Cover Glass:



- Contains 2 oz or approximately 200 pieces

Item #	Description	Packaging
9021	#1, 13-17mm	2 oz/bx

Lens Paper:



- Used in cleaning the microscope eyepieces and lenses

Item #	Description	Packaging
9012	4" x 6"	50 sheets/bk, 12 bks/pk

Dropper Bottle:



- Amber glass
- Not made with natural rubber latex

Item #	Description	Packaging
9030	1/2 oz.	12/bx
9031	1 oz.	12/bx

Exam Room Equipment

Foot Stools:

- Available in a chrome-plated or black finish with 11" x 14" platform
- 450lb weight capacity
- Platform topped with 10" x 13" non-skid rubber mat
- 9" high
- Handrail height 34"
- Not made with natural rubber latex

Item #	Description	Packaging
4351	Chrome	1/ea
4349	Handrail, Chrome	1/ea
4349-2	Handrail, Chrome	2/cs

⚠ WARNING: This product can expose you to chemicals including chromium (hexavalent compounds), which are known to the State of California to cause cancer and birth defects or other reproductive harm. For more information go to www.P65Warnings.ca.gov.



Foot Stool:

- Welded steel base
- 400lb weight capacity
- 11" x 14" platform topped with 10" x 13" non skid rubber mat
- 9" high
- Not made with natural rubber latex

Item #	Description	Packaging
4351BLK	Black	1/ea

⚠ WARNING: This product can expose you to chemicals including carbon-black extracts, which are known to the State of California to cause cancer. For more information go to www.P65Warnings.ca.gov.



Bariatric Footstools:

- Chrome plated steel
- 700 lb weight capacity
- 11" x 14" platform topped with 10" x 13" non skid rubber mat
- 9" high
- Handrail height is 34"
- Not made with natural rubber latex

Item #	Description	Packaging
4350	Chrome	1/ea
4348	Handrail, Chrome	1/ea

⚠ WARNING: This product can expose you to chemicals including chromium (hexavalent compounds), which are known to the State of California to cause cancer and birth defects or other reproductive harm. For more information go to www.P65Warnings.ca.gov.



Double Post Instrument Stand:

- Includes high grade stainless steel tray (18/8, 304)
- Base minimizes interference with other equipment
- Weight Capacity Standard: 15 lbs
- Depth at base: 19-1/4"
- Inside Base Area: 10-1/2" at widest end
5-1/2" at narrow end
- Replacement tray available

Item #	Description	Packaging
* 4368	Double Post	1/ea
4264	Replacement Tray, 12-1/2" x 19"	1/ea

* **⚠ WARNING:** This product can expose you to chemicals including chromium (hexavalent compounds), which are known to the State of California to cause cancer and birth defects or other reproductive harm. For more information go to www.P65Warnings.ca.gov.



Double Post Instrument Stand with Large Tray:

- Includes high grade stainless steel tray (18/8, 304) that is 25% larger than standard trays
- Base minimizes interference with other equipment
- Weight Capacity Standard: 50 lbs
- Depth at base: 24-1/3"
- Inside Base Area: 10-1/2" at widest end
6-1/4" at narrow end
- Replacement tray available

Item #	Description	Packaging
* 4366	Double Post	1/ea
4266	Replacement Tray, 16-3/4" x 21-1/2"	1/ea

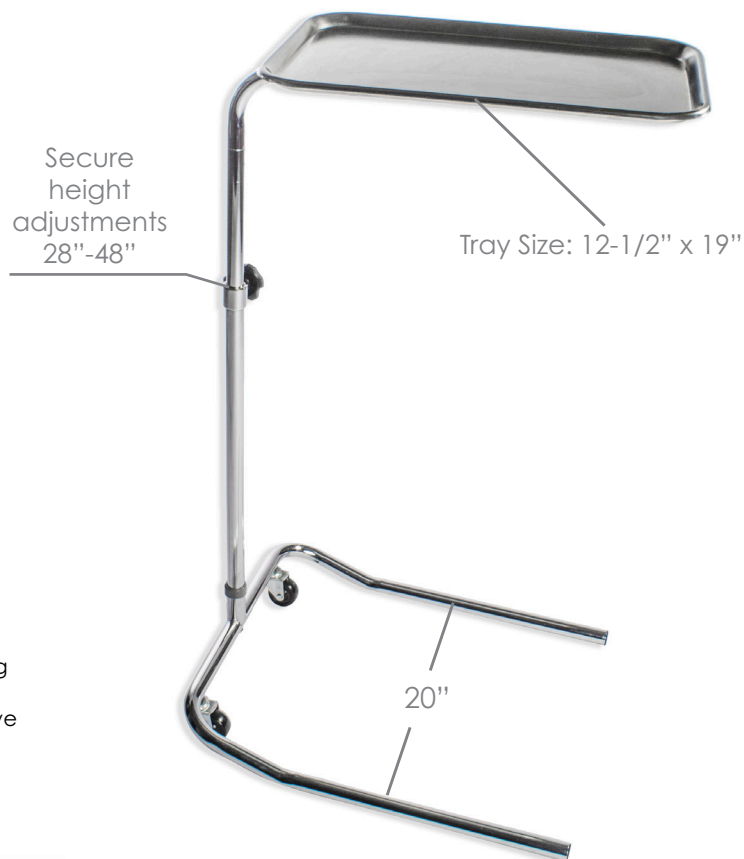
* **⚠ WARNING:** This product can expose you to chemicals including chromium (hexavalent compounds), which are known to the State of California to cause cancer and birth defects or other reproductive harm. For more information go to www.P65Warnings.ca.gov.

Single Post Instrument Stand:

- Includes highest grade stainless steel tray (18/8,304) U-shaped base minimizes interference with other equipment
- Base Width: 20"
- Weight Capacity: 11 lbs
- Replacement tray available

Item #	Description	Packaging
* 4352	Single Post	1/ea
4264	Replacement Tray, 12-1/2" x 19"	1/ea

* **⚠ WARNING:** This product can expose you to chemicals including chromium (hexavalent compounds), which are known to the State of California to cause cancer and birth defects or other reproductive harm. For more information go to www.P65Warnings.ca.gov.



Mobile Instrument Stand:

- Swiveling rubber casters offer improved maneuverability and durability
- Includes high grade stainless steel tray (18/8, 304)
- Base features two locking casters offering a reliable stationary position when necessary
- Weight Capacity: 11 lbs
- Replacement tray available

Item #	Description	Packaging
* 4365	Single Post	1/ea
4264	Replacement Tray, 12-1/2" x 19"	1/ea

* **⚠ WARNING:** This product can expose you to chemicals including chromium (hexavalent compounds), which are known to the State of California to cause cancer and birth defects or other reproductive harm. For more information go to www.P65Warnings.ca.gov.

IV Stand:

- Highly polished chrome plated steel
- Locking collar allows pole to be set at desired height
- Four caster base has diameter of 23" and 15 lb weight capacity
- 5 caster base features swiveling rubber casters improving maneuverability and durability.
- Five caster base has diameter of 20" and 22 lb weight capacity

Adjust from
47" to 84"

Item #	Description	Packaging
* 4353	2 Hook, 4 leg base, Chrome Plated Steel	1/ea
* 4355	2 Hook, 5 leg base, Chrome Plated Steel	1/ea
* 4356	4 Hook, 5 leg base, Chrome Plated Steel	1/ea
4356-SS	4 Hook, 5 leg base, Stainless Steel	1/ea



* **⚠ WARNING:** This product can expose you to chemicals including chromium (hexavalent compounds), which are known to the State of California to cause cancer and birth defects or other reproductive harm. For more information go to www.P65Warnings.ca.gov.

Tool Free Assembly, Easy as 1-2-3



**Standard
Height**



**Tall
Height**



**Wide
Standard
Height**



**Wide
Tall
Height**

In Stock, Call for Availability

- One control knob allows you to raise and lower the arms and rotate left or right
- 7" wide arm allows for patient comfort and greater flexibility for the phlebotomist
- 2" padded seat and back offer the ultimate patient comfort
- Vinyl is mildew resistant, sulfide stain resistant and static dissipative
- Adjustable floor levelers allow the chair to sit solidly on an uneven floor
- Welded solid steel frame with a powder coated finish





**500 lb
Weight
Capacity**

Standard Height:

- Seat dimensions: 18" width, 17" depth, 19" height
- Overall dimensions: 34" width, 28" depth, 36" height
- Height of adjustable arm 28"-35"
- Tool free assembly

Item #	Description	Packaging
4382	Upholstered , Straight Arm, Blue	1/ea
4382-F	Upholstered, Flip Arm, Blue	1/ea
4382F-BLK	Upholstered, Flip Arm, Black	1/ea
4382F-OAT	Upholstered, Flip Arm, Oatmeal	1/ea

⚠ WARNING: This product can expose you to chemicals including chromium (hexavalent compounds), which are known to the State of California to cause cancer and birth defects or other reproductive harm. For more information go to www.P65Warnings.ca.gov.



**500 lb
Weight
Capacity**

Tall Height:

- Seat dimensions: 18" width, 17" depth, 24" height
- Overall dimensions: 34" width, 28" depth, 43" height
- Height of adjustable arm 33"- 40"
- Tool free assembly

Item #	Description	Packaging
4383-F	Upholstered, Flip Arm, Blue	1/ea
4383F-BLK	Upholstered, Flip Arm, Black	1/ea

⚠ WARNING: This product can expose you to chemicals including chromium (hexavalent compounds), which are known to the State of California to cause cancer and birth defects or other reproductive harm. For more information go to www.P65Warnings.ca.gov.



Wide:

- Seat dimensions: 32" width, 17" depth, 19" height
- Overall dimensions: 43" width, 28" depth, 40" height
- Height of adjustable arm 28"-35"
- Tool free assembly

Item #	Description	Packaging
4382X-F	Upholstered, Flip Arm, Blue	1/ea
4382XF-BLK	Upholstered, Flip Arm, Black	1/ea
4382XF-OAT	Upholstered, Flip Arm, Oatmeal	1/ea

⚠ WARNING: This product can expose you to chemicals including chromium (hexavalent compounds), which are known to the State of California to cause cancer and birth defects or other reproductive harm. For more information go to www.P65Warnings.ca.gov.

Tray and Drawer Accessory:

- Attaches to the straight arm
- Straight arm is pre-drilled for easy installment of tray & drawer
- Tray Dimensions: 8" wide x 11" deep
- Drawer Dimensions: 4" high x 11" wide x 11" deep
- Can be used with all Blood Drawing Chairs

Item #	Description	Packaging
4388	Tray & Drawer	1/ea



⚠ WARNING: This product can expose you to chemicals including chromium (hexavalent compounds), which are known to the State of California to cause cancer and birth defects or other reproductive harm. For more information go to www.P65Warnings.ca.gov.



**700 lb
Weight
Capacity**

Wide with Tall Height:

- Seat dimensions: 32" width, 17" depth, 24" height
- Overall dimensions: 43" width, 28" depth, 43" height
- Height of adjustable arm 28"-35"
- Tool free assembly

Item #	Description	Packaging
4386X-F	Upholstered, Flip Arm, Blue	1/ea
4386XF-BLK	Upholstered, Flip Arm, Black	1/ea

⚠ WARNING: This product can expose you to chemicals including chromium (hexavalent compounds), which are known to the State of California to cause cancer and birth defects or other reproductive harm. For more information go to www.P65Warnings.ca.gov.



**300 lb
Weight
Capacity**

Lab Series Standard Height

- Seat dimensions: 18" width, 16" depth, 18" height
- Overall dimensions: 34" width, 28" depth, 32" height
- Height of adjustable arm 28"-35"

Lab Series Tall Height

- Seat dimensions: 18" width, 16" depth, 24" height
- Overall dimensions: 34" width, 28" depth, 43" height
- Height of adjustable arm 28"-35"

Item#	Description	Packaging
4381	Plastic Seat, Formica Straight Arm	1/ea
4384F-BLK	Plastic Seat, Upholstered Flip Arm, Black	1/ea
4385F-BLK	Plastic Seat, Upholstered Flip Arm, Black, Tall	1/ea

⚠ WARNING: This product can expose you to chemicals including chromium (hexavalent compounds), which are known to the State of California to cause cancer and birth defects or other reproductive harm. For more information go to www.P65Warnings.ca.gov.

We are providing solutions for positive patient and facility outcomes



- | | | |
|--|--|---|
| <p>1 ITEM# 4012
Glass Sundry Jar, Unlabeled, SS Lid</p> | <p>6 ITEM# 4020
Counter Tips 5 Sundry Jar Rack</p> | <p>11 ITEM# 7604
Sheer Adhesive Strips, 3/4" x 3"</p> |
| <p>2 ITEM# 4366
Mayo Stand, Large Tray, Double Post</p> | <p>7 ITEM# 4063
CounterTips Glove Dispenser, Triple</p> | <p>12 ITEM# 404
Non-Sterile, Rolled Gauze, 4", 2-ply</p> |
| <p>3 ITEM# TM3050
Snellen Eye Chart, Plastic</p> | <p>8 ITEM# C82082
Type VII Gauze, Non-Sterile, 2" x 2", 8-ply</p> | <p>13 ITEM# 305
Patient Exam Gown Deluxe, Dark Blue</p> |
| <p>4 ITEM# 4024
Alcohol Bottle, Imprinted, 9 oz</p> | <p>9 ITEM# 801
Cotton Balls, Medium</p> | <p>14 ITEM# 1541
Surgical Mask w/Ear Loop, Blue</p> |
| <p>5 ITEM# 4351
Foot Stool, Chrome</p> | <p>10 ITEM# 9002
Non-Sterile, Tongue Depressors, Senior, 6"</p> | |



Dukal, LLC

2 Fleetwood Ct, Ronkonkoma, NY 11779

Phone: 1 631 656 3800

Toll Free: 1 800 243 0741

Email: customerservice@dukal.com

To Place Orders: orders@dukal.com

Find our full line of products at [dukal.com](https://www.dukal.com)